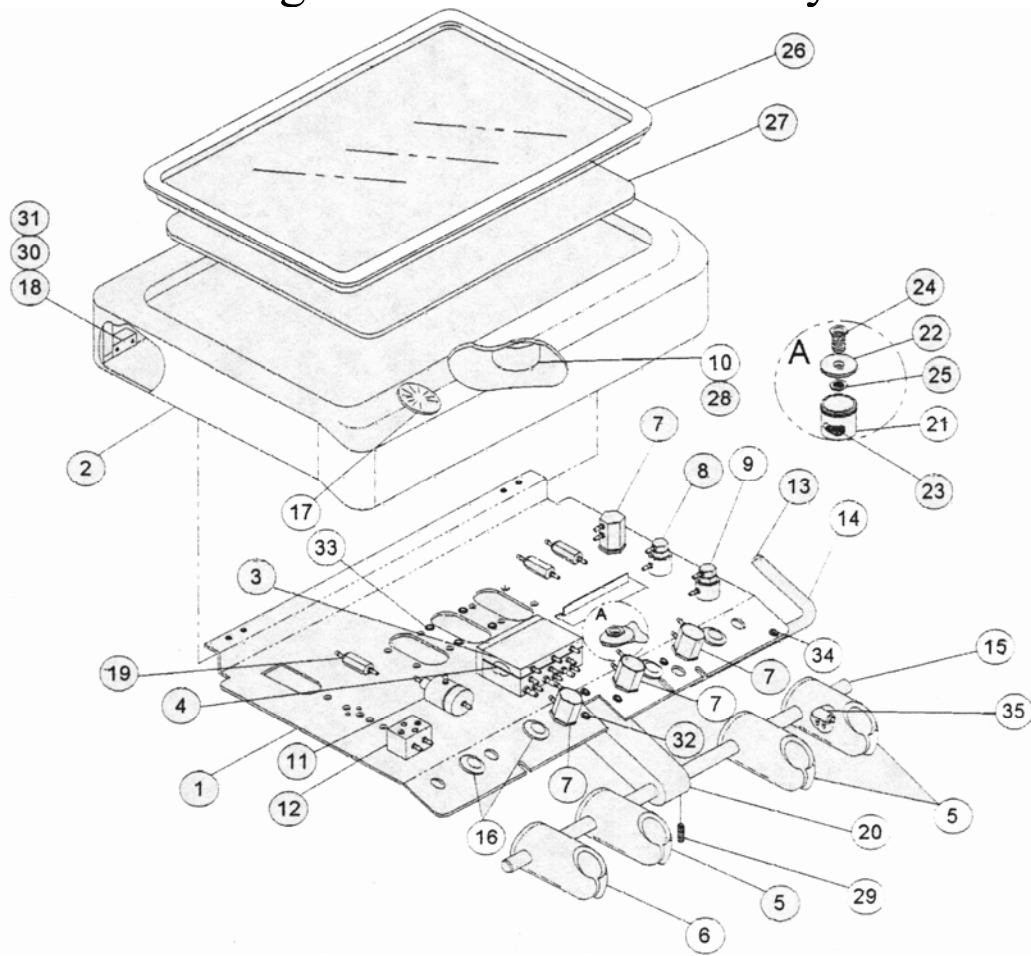


Mirage Delivery System Diagrams and part numbers

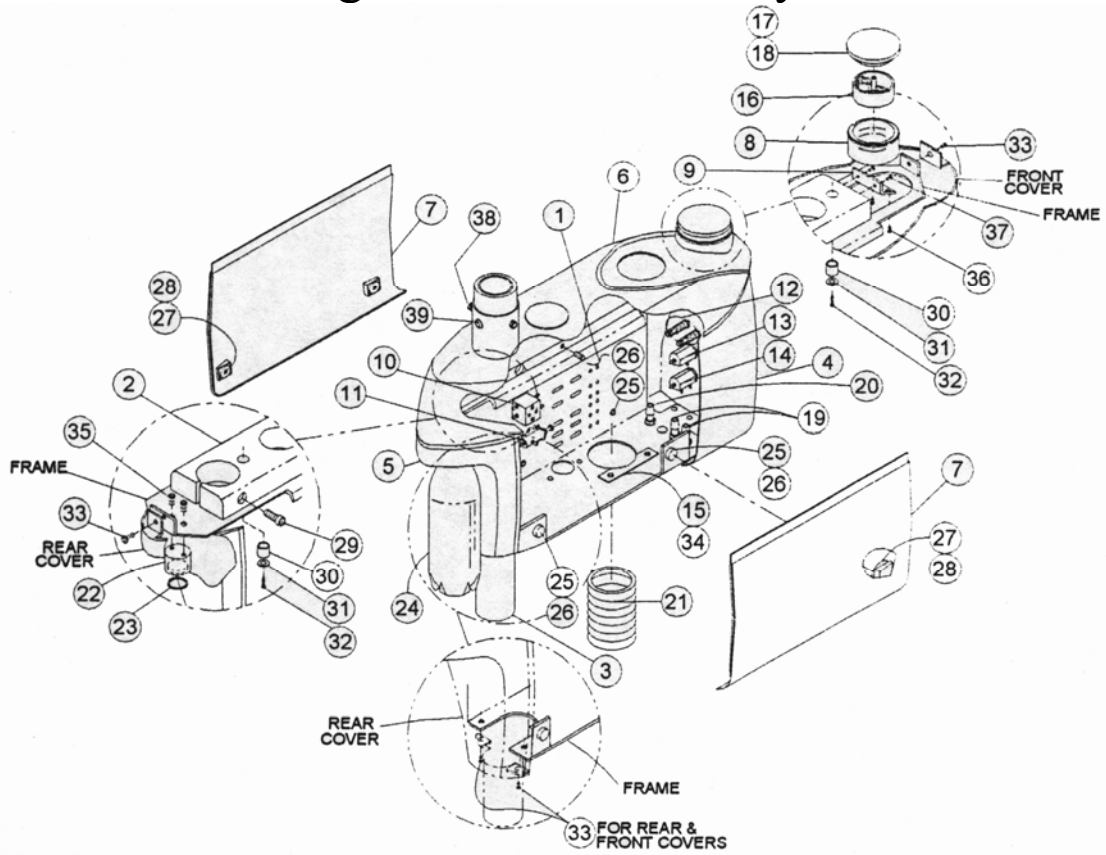


Mirage Sector Head Assembly



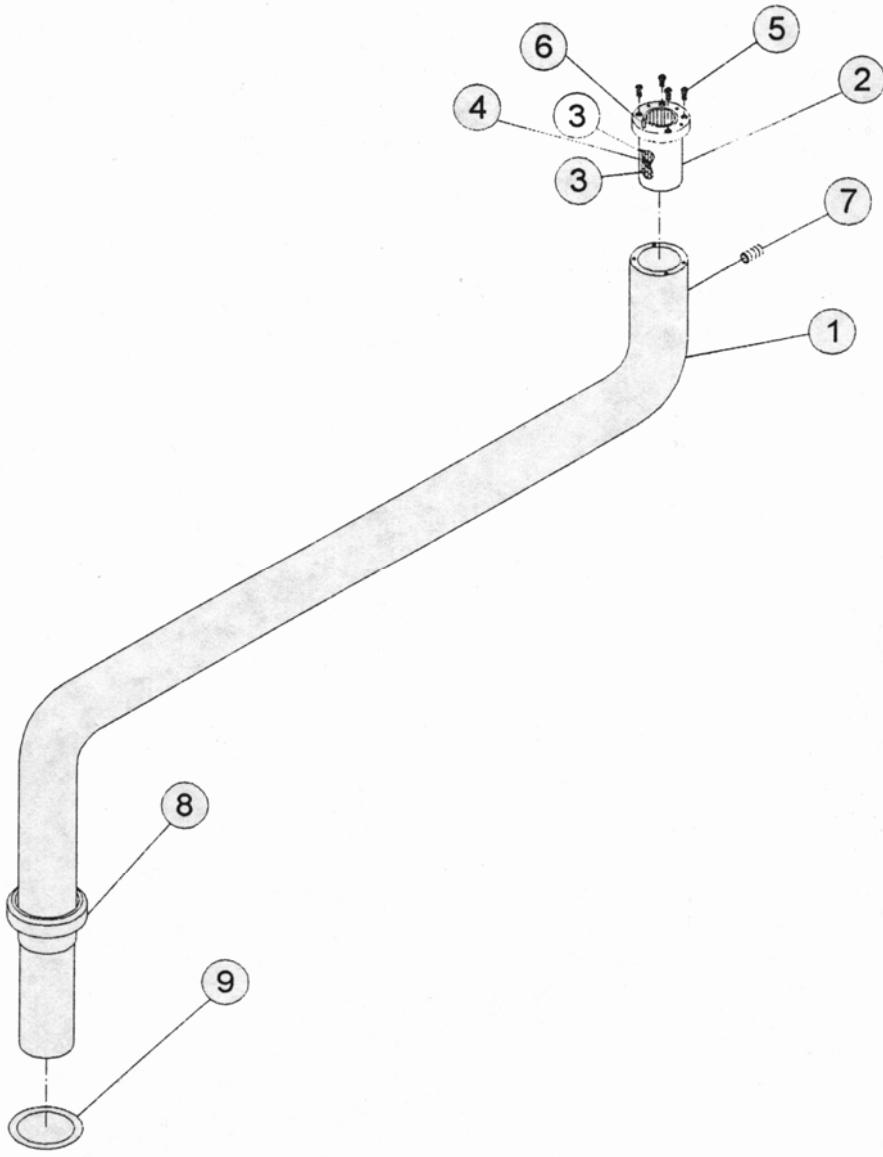
| Item | Part Number | Description |
|------|-------------|------------------------------|
| 1 | 52001 | Plate Base |
| 2 | 52002 | Cover- Control Head |
| 3 | 52003 | Hand piece Control Block |
| 4 | 52004 | Tri-Block Diaphragm |
| 5 | 52005 | Holder Asepsis (Cover) |
| | 52005-C | Asepsis Holder Complete |
| 6 | 52006 | Holder Syringe (Cover) |
| | 52006-C | Syringe Holder Complete |
| 7 | 52007 | Valve-Flow Control Needle |
| 8 | 52008 | Push Button Momentary |
| 9 | 52009 | On/Off Toggle 3-Way |
| 10 | 52010 | Weight, Cover |
| 11 | 52011 | Water Relay |
| 12 | 52012 | Syringe Block Assembly |
| 13 | 52013 | Break Push Button |
| 14 | 52014 | Handle, Right |
| 15 | 52015 | Bar Holder |
| 16 | 52016 | Grommet |
| 17 | 52017 | Gauge-Pressure |
| 18 | 52018 | Hinge |
| 19 | 52019 | Check Valve |
| 20 | 52020 | Rod Holder Support |
| 21 | 52021 | Oil Jar |
| 22 | 52022 | Cap-Oil Jar |
| 23 | 52023 | Oil Pad |
| 24 | 52024 | Hex Screw-Oil Jar |
| 25 | 52025 | Hex Nut Oil Jar |
| 26 | 52026 | Stainless Steel Tray |
| 27 | 52027 | Non Slip Pad |
| 28 | 52028 | Screw, Button Head |
| 29 | 52029 | Screw, Set Socket |
| 30 | 52030 | Screw, Button Head |
| 31 | 52031 | Screw, Button Head |
| 32 | 52032 | Screw, Button Head |
| 33 | 52033 | Screw, Button Head |
| 34 | 52034 | Screw, Button Head |
| 35 | 52035 | N.C. Valve |
| 36 | 52036 | Hand Piece Tubing W/ Coupler |
| 37 | 52038 | Syringe Tubing |

Mirage Post Mount Utility Box



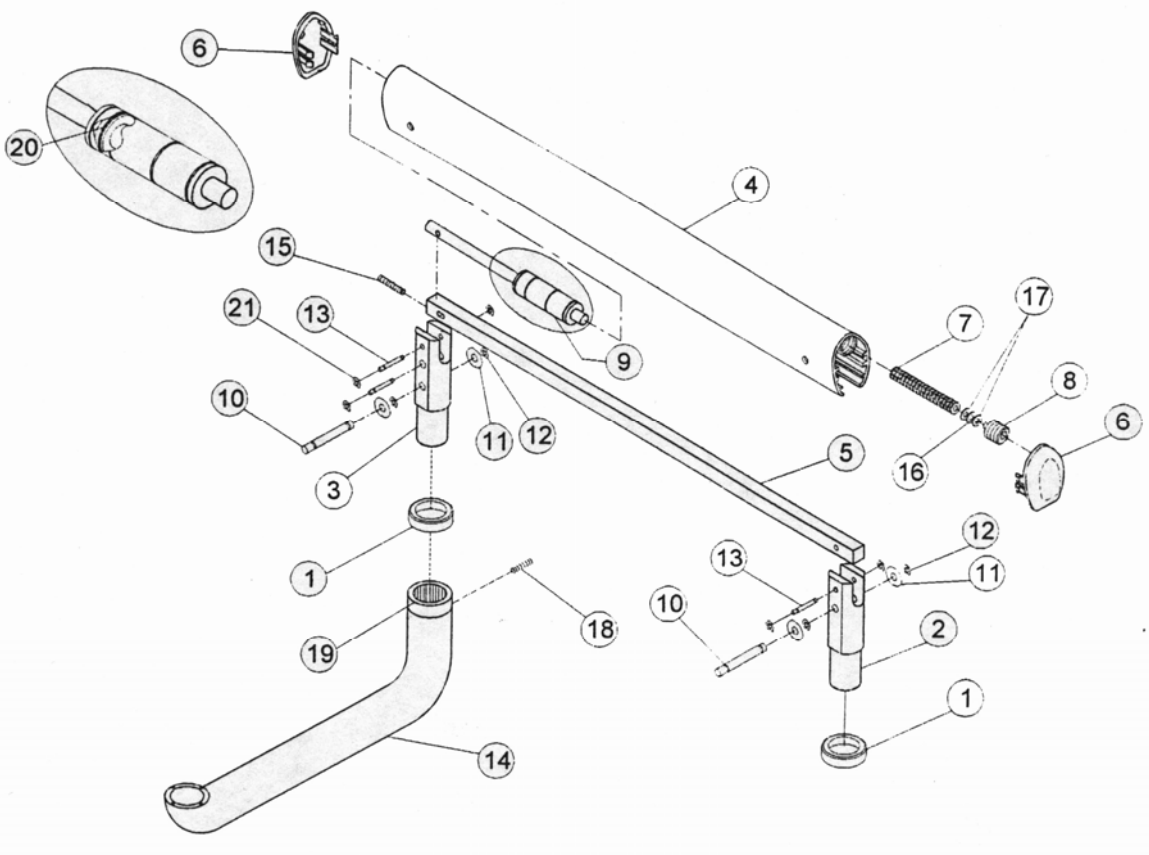
| Item | Part Number | Description |
|------|-------------|-----------------------------------|
| 1 | 53001 | Frame, PMU |
| 2 | 53002 | Support Plate –Clamp |
| 3 | 53003 | Support Post |
| 4 | 53004 | Front Cover |
| 5 | 53005 | Rear Cover |
| 6 | 53006 | Top Cover |
| 7 | 53007 | Side Cover |
| 8 | 53008 | Solids Collector body |
| 9 | 53009 | Bracket, Solids Collector |
| 10 | 53010 | Syringe Block Assembly |
| 11 | 53011 | Water Bottle Air Regulator |
| 12 | 53012 | Q.D. Outlet W/Shutoff |
| 13 | 52007 | Flow Control Needle Valve |
| 14 | 53014 | Toggle, Selector Valve |
| 15 | 53015 | Umbilical Retainer Bracket |
| 16 | 53016 | Trap Solids Collector |
| 17 | 53017 | Cap, Solids Collector |
| 18 | 53018 | O-Ring Solids Collector |
| 19 | 53019 | HVE Connector |
| 20 | 53020 | SE Connector |
| 21 | 53021 | Umbilical (Per Foot |
| 22 | 53022 | Bottle Cap Assembly |
| 23 | 53023 | Gasket Water Bottle |
| 24 | 53024 | Water Bottle |
| 25 | 53025 | Magnet |
| 26 | 53026 | Screw Magnet |
| 27 | 53027 | Plate Magnet |
| 28 | 53028 | Screw Plate Magnet |
| 29 | 53029 | Screw, Clamp Mount Allen |
| 30 | 53030 | Spacer, Top Cover |
| 31 | 53031 | Washer, Top Cover |
| 32 | 53032 | Screw, Top Cover |
| 33 | 53033 | Screw, Rear/Front Cover |
| 34 | 53034 | Screw, Bracket – Umbilical |
| 35 | 53035 | Screw, Bottle Cap Assembly |
| 36 | 53036 | Screw, Solids Collector |
| 37 | 53037 | Screw, Bracket-Solids Collector |
| 38 | 53038 | Screw, Set Socket, Post |
| 39 | 53039 | Screw, Pan Head, Post |
| 40 | 53040 | Light Post Not Shown |
| 41 | 53041 | 4 Position Suction Holder |
| 42 | 53041-arm | Tele Arm Only |
| 43 | 53041-C | Complete Tele Arm W/ 4 pos Holder |

Mirage Ridge Arm Assembly



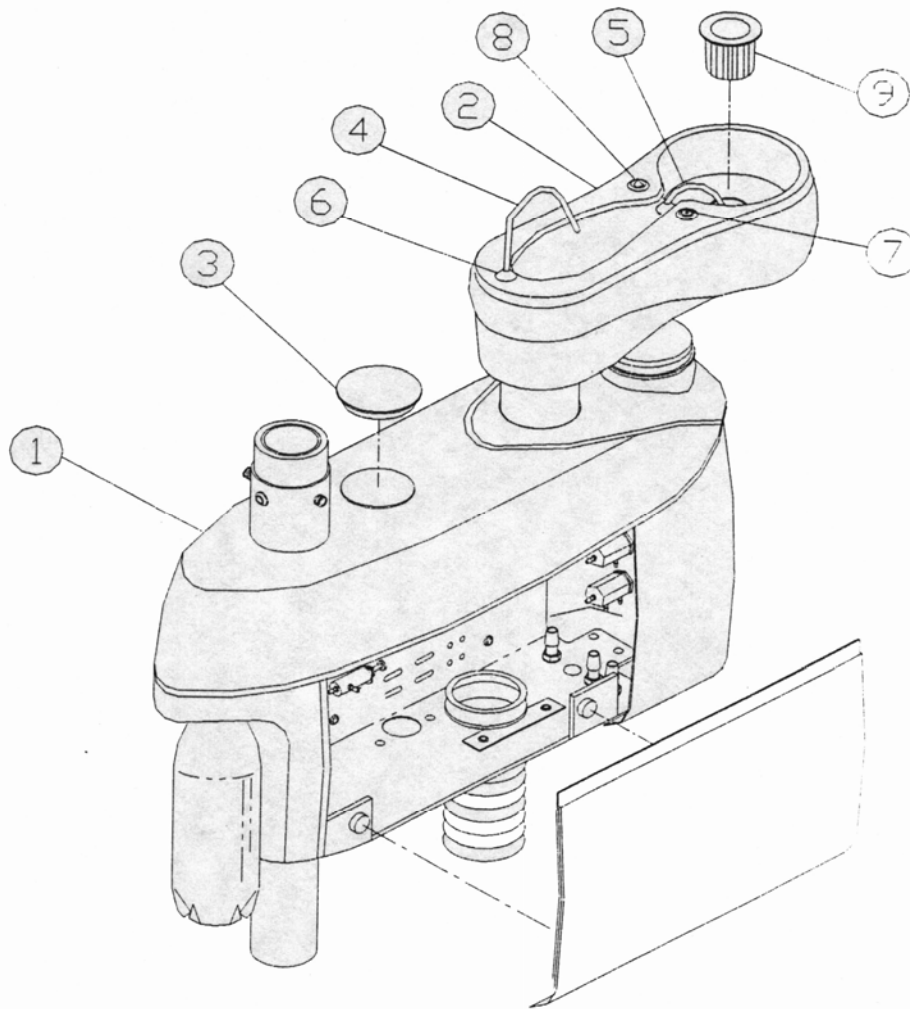
| Item | Part Number | Description | Price\$ |
|------|-------------|--------------------|---------|
| 1 | 54051 | Ridge Arm | |
| 2 | 54052 | Bushing | |
| 3 | 54053 | Bearing | |
| 4 | 54054 | Friction Spacer | |
| 5 | 54055 | Cap Head Screw | |
| 6 | 54056 | Pin, Rotation Stop | |
| 7 | 54057 | Friction Set Screw | |
| 8 | 54058 | Bezel | |
| 9 | 54059 | Washer | |

Mirage Flex Arm Assembly



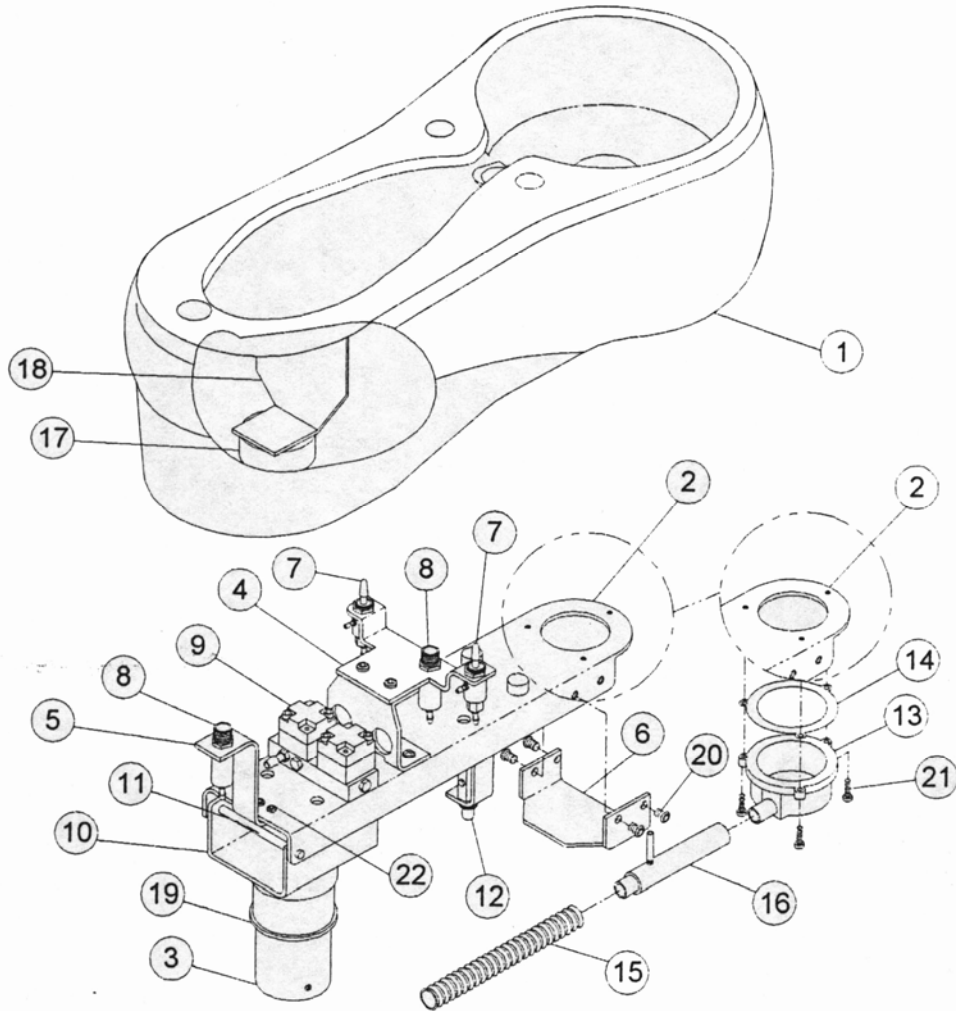
| Item | Part Number | Description |
|------|-------------|--------------------------|
| 1 | 54001 | Bezel |
| 2 | 54002 | Elevation Knuckle |
| 3 | 54003 | Control Knuckle |
| 4 | 54004 | Cover Flex Arm |
| 5 | 54005 | Stabilizer Bar |
| 6 | 54006 | End Cap, Flex Arm |
| 7 | 54007 | Spring Compression |
| 8 | 54008 | Tensioning Screw Cap |
| 9 | 54009 | Air Break |
| 10 | 54010 | Long Pin, Stabilizer |
| 11 | 54011 | Washer (PKG 10) |
| 12 | 54012 | Retainer (PKG 10) |
| 13 | 54013 | Short Pin |
| 14 | 54014 | Control Arm |
| 15 | 54015 | Leveling Screw |
| 16 | 54016 | Washer (PKG 10) |
| 17 | 54017 | Washer (PGK 10) |
| 18 | 54018 | Set Screw |
| 19 | 54019 | Bearing |
| 20 | 54020 | O-Ring Air Break |
| 21 | 54021 | Retainer, Small (PKG 10) |

Mirage Cuspidor – Post Assembly



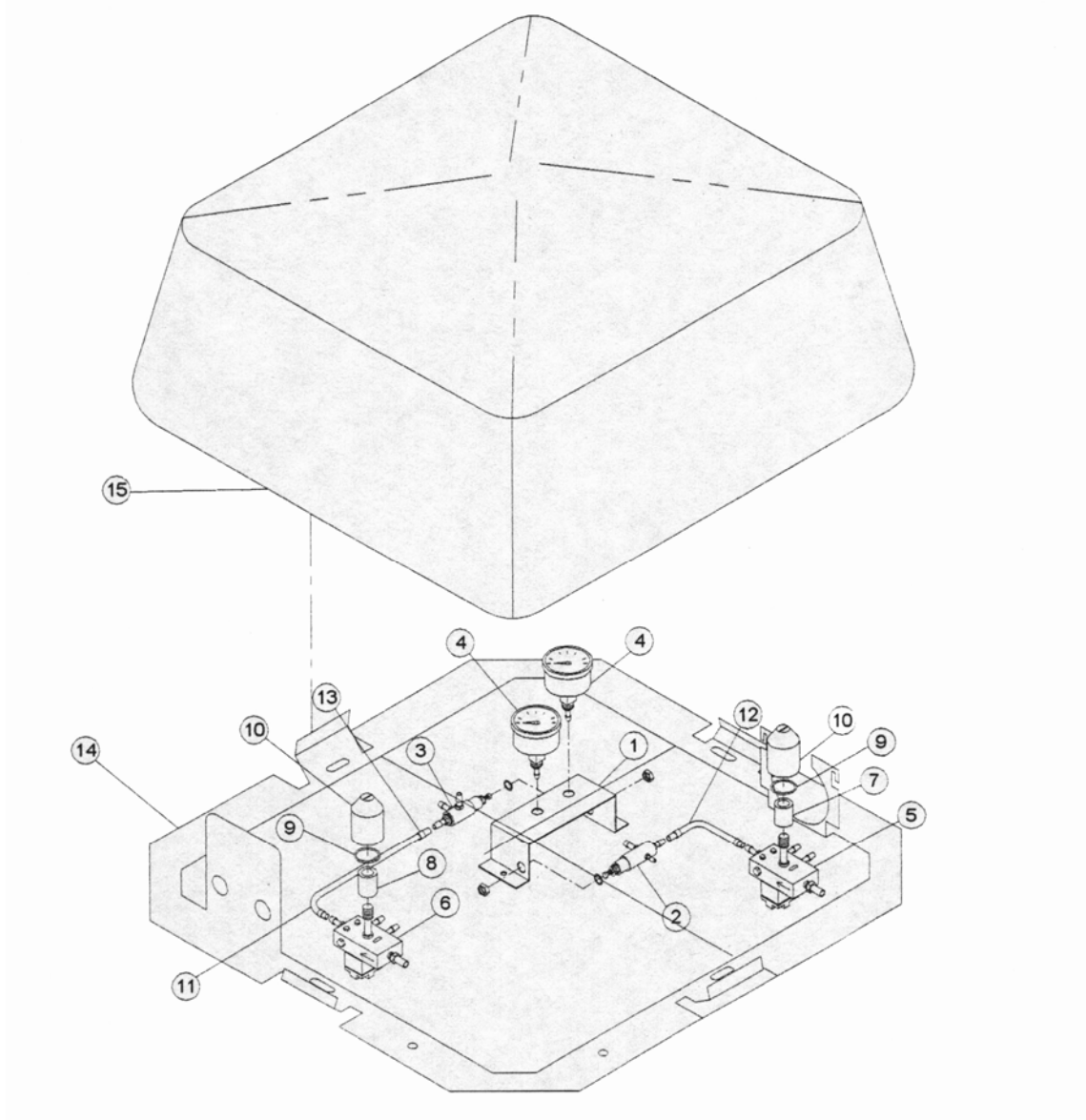
| Item | Part Number | Description |
|------|-------------|-----------------------------|
| 1 | 53000 | Post Mount Box Sub-Assembly |
| 2 | 53050 | Cuspidor Sub-Assembly |
| 3 | 53051 | Cap, Top Cover |
| 4 | 53052 | Cup Fill Spout |
| 5 | 53053 | Bowl Rinse Spout |
| 6 | 53054 | Bezel, Spout |
| 7 | 53055 | Cup Fill Boot |
| 8 | 53056 | Bowl Rinse Boot |
| 9 | 53057 | Bowl Strainer |
| 10 | 53058 | Cuspidor Cove Cap |
| 11 | 53059 | Cuspidor Locking Screws X2 |

Mirage Cuspidor Assembly



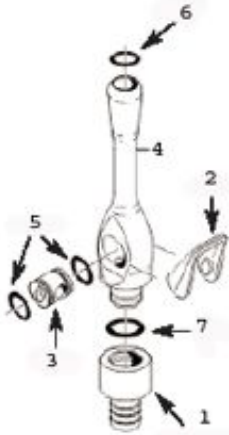
| Item | Part Number | Description |
|------|-------------|-------------------------------|
| 1 | 53071 | Cuspidor |
| 2 | 53072 | Chassis |
| 3 | 53073 | Pivot Tube |
| 4 | 53074 | Valve Bracket |
| 5 | 53075 | Bracket, Socket Cup Fill |
| 6 | 53076 | Bracket, Bowl- Socket |
| 7 | 53077 | Control Valve |
| 8 | 53078 | Socket Spout |
| 9 | 53079 | Block |
| 10 | 53080 | Bracket Pivot Mount |
| 11 | 53081 | Pin |
| 12 | 52007 | Needle Valve |
| 13 | 53083 | Socket Bowl |
| 14 | 53084 | Gasket |
| 15 | 53085 | Drain Line |
| 16 | 53086 | Vent Tube Assembly |
| 17 | 53087 | Magnet |
| 18 | 53088 | Bracket Magnet |
| 19 | 53089 | Washer |
| 20 | 53090 | Screw, Bracket Mount Allen |
| 21 | 53091 | Screw, Socket Mount Philips |
| 22 | 53092 | Screw, Bracket Cup Fill Allen |

Mirage Utility Box Assembly



| <u>Item</u> | <u>Part Number</u> | <u>Description</u> |
|-------------|--------------------|--------------------------------|
| 1 | 53101 | Bracket |
| 2 | 53102 | Air Regulator |
| 3 | 53103 | Water Regulator |
| 4 | 53104 | Pressure Gauge |
| 5 | 53105 | Air Pilot Valve |
| 6 | 53106 | Water Pilot Valve |
| 7 | 53107 | Air Filter |
| 8 | 53108 | Water Filter |
| 9 | 53109 | O-ring |
| 10 | 53110 | Dome Nut |
| 11 | 53111 | ¼" Water Line |
| 12 | 53112 | ¼" Air line |
| 13 | 53113 | Sleeve Clamp (PKG 10) |
| 14 | 53114 | Frame, Utility Box |
| 15 | 53115 | Cover, Utility Box |
| 16 | 53116 | Foot Control W/SW |
| 17 | 53117 | Foot Control W/O SW |
| 18 | 53118 | F.C. Wet/Dry Toggle SW |
| 19 | 53119 | J-Box Master Controls Complete |

Suction Components



Model 2000HVE

| No. | Part Number | Description |
|-----|-------------|----------------|
| 1 | HVEBC | Base Connector |
| 2 | HVELV | Lever |
| 3 | HVEVS | Valve Spool |
| 4 | 2000HVE | HVE Complete |
| 5 | 57392 | O-ring |
| 6 | 67392 | O-ring |
| 7 | 77392 | O-ring |

Model 2000HVE Short

| No. | Part Number | Description | Price |
|-----|-------------|----------------|-------|
| 1 | HVEBC | Base Connector | |
| 2 | HVELV | Lever | |
| 3 | HVEVS | Valve Spool | |
| 4 | 2000HVE | HVE Complete | |
| 5 | 57392 | O-ring | |
| 6 | 67392 | O-ring | |
| 7 | 77392 | O-ring | |



Model 2000HVE

| No. | Part Number | Description |
|-----|-------------|----------------|
| 1 | SEBC | Base Connector |
| 2 | SELV | Lever |
| 3 | SEVS | Valve Spool |
| 4 | 2000SE | Saliva Ejector |
| 5 | 57392 | O-ring |
| 6 | SE672-5 | O-ring 5PK |
| 7 | 77392 | O-ring |

